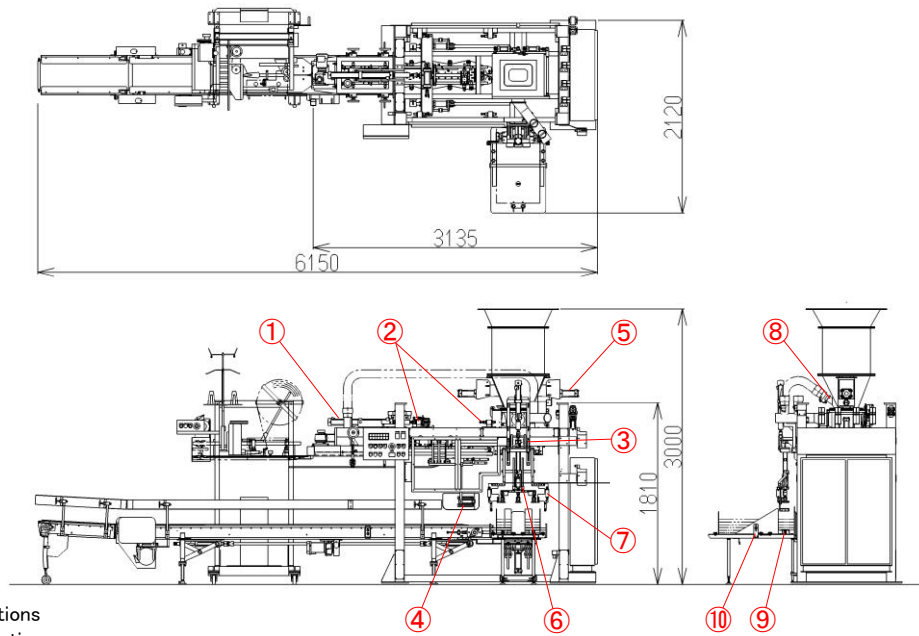


**OUTSIDE DIMENSIONS**

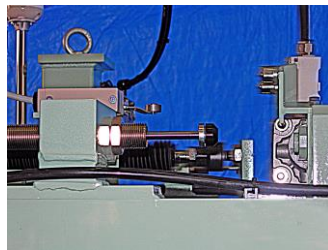
**3CM-5U**



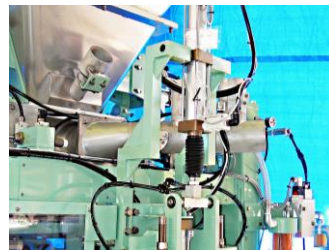
※The machine shown in the drawing includes options  
 ※The dimensions in the drawing vary by specification



① Bag traverse cylinder  
 Traverse cylinder is centered in order to reduce differential loading and vibration, resulting in increased capacity.



② Shock absorber for traverse  
 Due to shock absorber brake it is not necessary to fine adjust the traverse cylinder during carriage movement stroke.



③ Shock absorber at bag hanger  
 By using a shock absorber at bag placement, vibration is minimized and speed can be increased, resulting in improved capacity.



④ Bag holding carriage  
 The filled bag is cradled during traverse for increased advance speed.

⑤	Chute knocking device (Option)	Chute wall is knocked by air-actuated percussion to prevent adhesion.
⑥	Bag mouth side clamp device (Option)	Bag side clamps can be specified for gusseted bags before closing to prevent opening of bag top during traverse.
⑦	Bag hanger (can be optioned with side clamp device) (Option)	Bags are fed by side clamps only and without swingarm, increasing durability and capacity.
⑧	Chute air removal device (Option)	Air at the top of the bag can be evacuated by vacuum to optimize the filling process.
⑨	Bag magazine spring device (gusset bags) (Option)	On gusseted bag applications spring-loaded jigs can be used so that stacked bags lay flat and the bag hanger pick-up device operates smoothly.
⑩	Guide for bag gap prevention (Option)	In some cases height adjustment of the guide can be optioned for better performance.



**NEWLONG INDUSTRIAL CO., LTD.**

8-14, Shiratori 4-chome, Katsushika-ku, Tokyo 125-0063, Japan

Tokyo Head Office PHONE +81-3-3603-2276 FAX +81-3-3603-2253  
 Mechanical Design Engineering Dept PHONE +81-3-3603-2252 FAX +81-3-3602-2694

NLI Group Home Page URL/E-mail

URL <http://nlwww.com/>  
 E-mail [info@nlwww.com](mailto:info@nlwww.com)



**AUTOMATIC BAGGING MACHINE**

**3CM-5U**

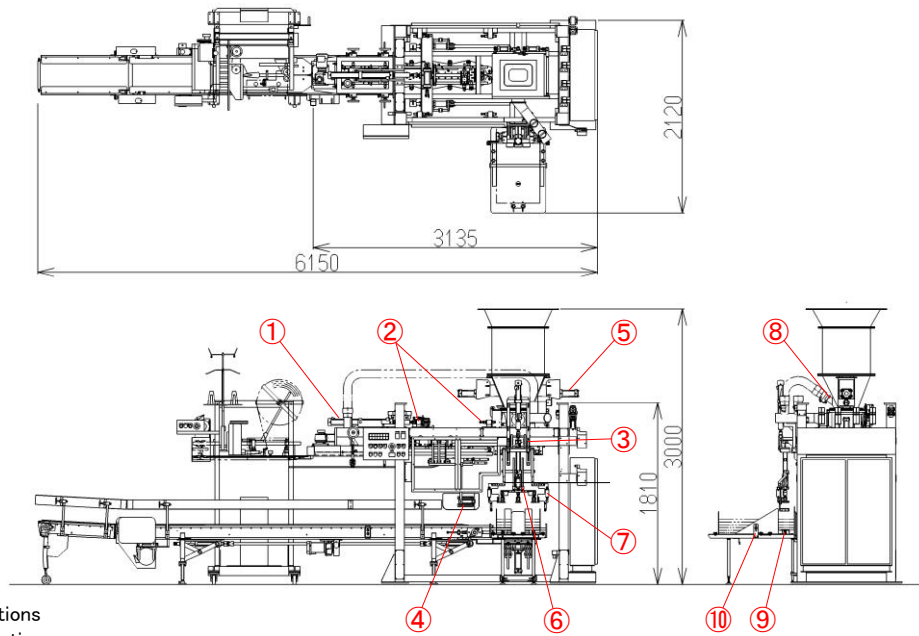


SPECIFICATIONS	3CM-5U
Capacity	300~500 bags/hour (5~8.3 bags/min)
Application	Pellet or other free-flowing solid
Set Weight	20~30kg (44~66lb)
Bag Material	Kraft Bag or PE Bag
Bag Size	750~850mm (29.5~33.5in) L x 420mm (16.5in) W x 76mm (3in) Gusset
Bag Magazine	Single Block
Vacuum Pump	2.2 kw
Power Requirement	Approx. 3~3.5kw

**NEWLONG INDUSTRIAL CO., LTD.**

**OUTSIDE  
DIMENSIONS**

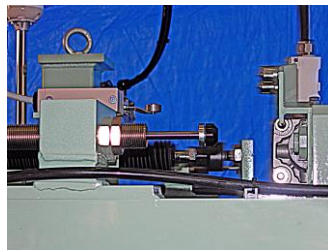
**3CM-5U**



※The machine shown in the drawing includes options  
 ※The dimensions in the drawing vary by specification



① Bag traverse cylinder  
 Traverse cylinder is centered in order to reduce differential loading and vibration, resulting in increased capacity.



② Shock absorber for traverse  
 Due to shock absorber brake it is not necessary to fine adjust the traverse cylinder during carriage movement stroke.



③ Shock absorber at bag hanger  
 By using a shock absorber at bag placement, vibration is minimized and speed can be increased, resulting in improved capacity.



④ Bag holding carriage  
 The filled bag is cradled during traverse for increased advance speed.

⑤	Chute knocking device (Option)	Chute wall is knocked by air-actuated percussion to prevent adhesion.
⑥	Bag mouth side clamp device (Option)	Bag side clamps can be specified for gusseted bags before closing to prevent opening of bag top during traverse.
⑦	Bag hanger (can be optioned with side clamp device) (Option)	Bags are fed by side clamps only and without swingarm, increasing durability and capacity.
⑧	Chute air removal device (Option)	Air at the top of the bag can be evacuated by vacuum to optimize the filling process.
⑨	Bag magazine spring device (gusset bags) (Option)	On gusseted bag applications spring-loaded jigs can be used so that stacked bags lay flat and the bag hanger pick-up device operates smoothly.
⑩	Guide for bag gap prevention (Option)	In some cases height adjustment of the guide can be optioned for better performance.



**NEWLONG INDUSTRIAL CO., LTD.**

8-14, Shiratori 4-chome, Katsushika-ku, Tokyo 125-0063, Japan

Tokyo Head Office

PHONE +81-3-3603-2276

FAX +81-3-3603-2253

Mechanical Design Engineering Dept

PHONE +81-3-3603-2252

FAX +81-3-3602-2694

NLI Group Home Page URL/E-mail

URL <http://nlwww.com/>

E-mail [info@nlwww.com](mailto:info@nlwww.com)



**AUTOMATIC BAGGING MACHINE**

**3CM-5U**



SPECIFICATIONS	3CM-5U
Capacity	300~500 bags/hour (5~8.3 bags/min)
Application	Pellet or other free-flowing solid
Set Weight	20~30kg (44~66lb)
Bag Material	Kraft Bag or PE Bag
Bag Size	750~850mm (29.5~33.5in) L x 420mm (16.5in) W x 76mm (3in) Gusset
Bag Magazine	Single Block
Vacuum Pump	2.2 kw
Power Requirement	Approx. 3~3.5kw

**NEWLONG INDUSTRIAL CO., LTD.**